

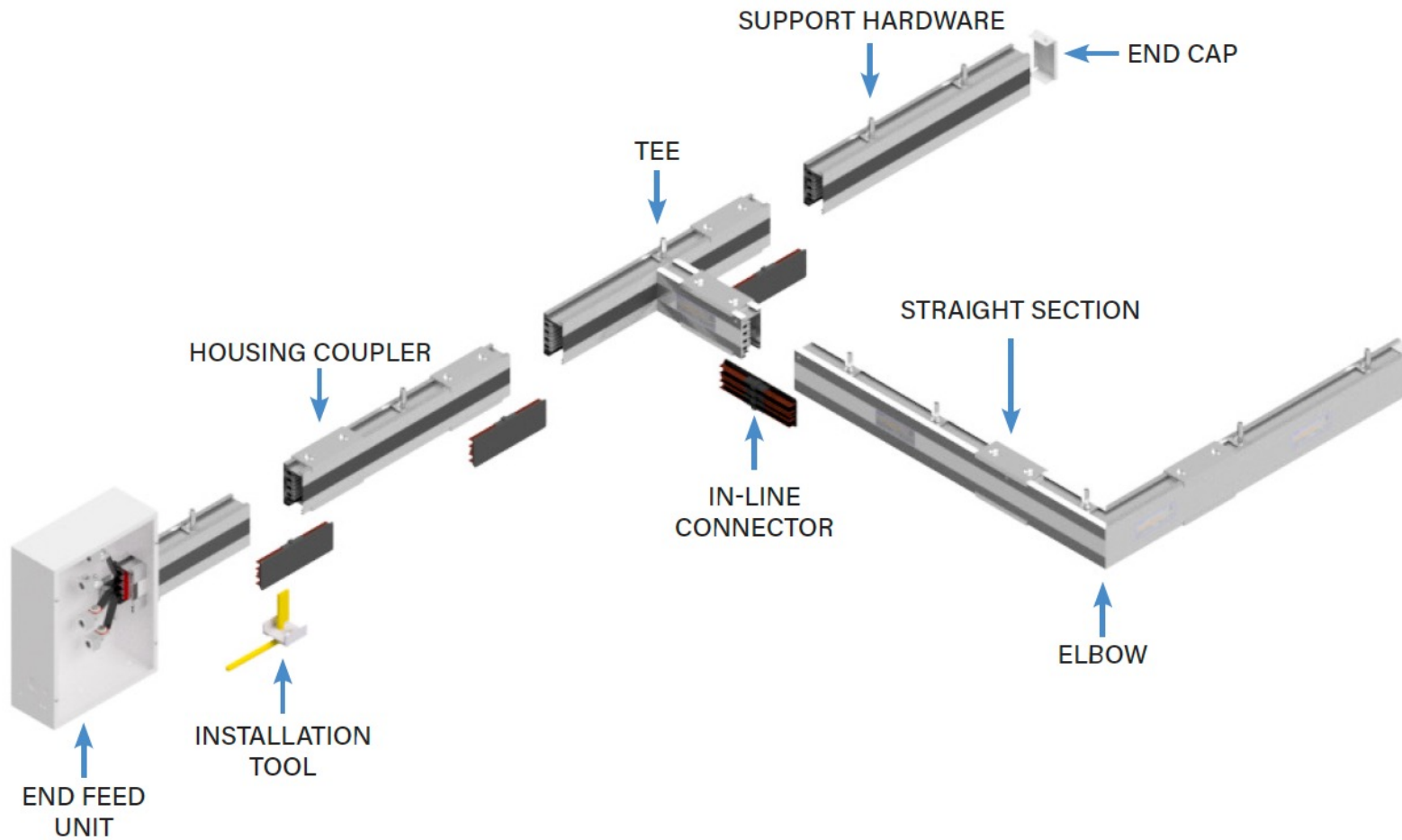


Legrand Bustrack





Legrand Bustrack



PLUG-IN UNITS

For further information on applicable T3 plug-in unit options, please consult the factory.



Legrand Bustrack

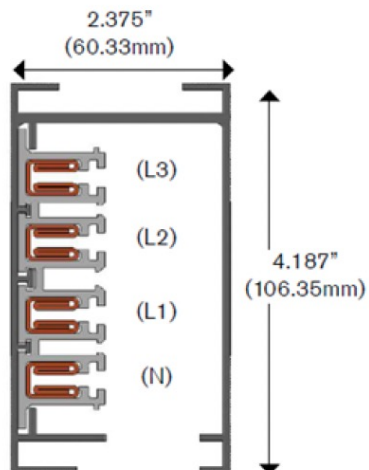
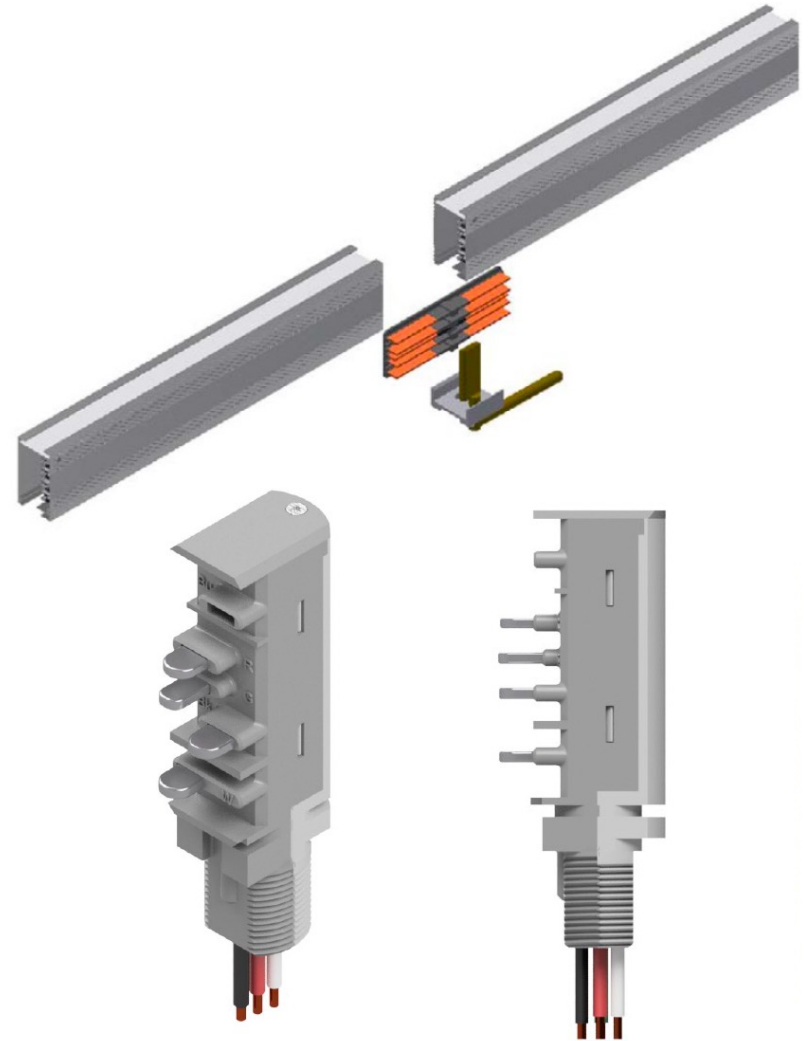
T3 Systems

Designed for small to mid load applications

Max busway current: 225A per phase

Max paddle head current: 100A per phase

Short Circuit Rating: 22kA





Legrand Bustrack

T5 Systems

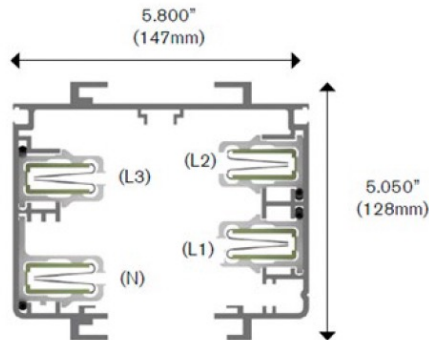
Designed for higher load applications

Max current: 1200A per phase

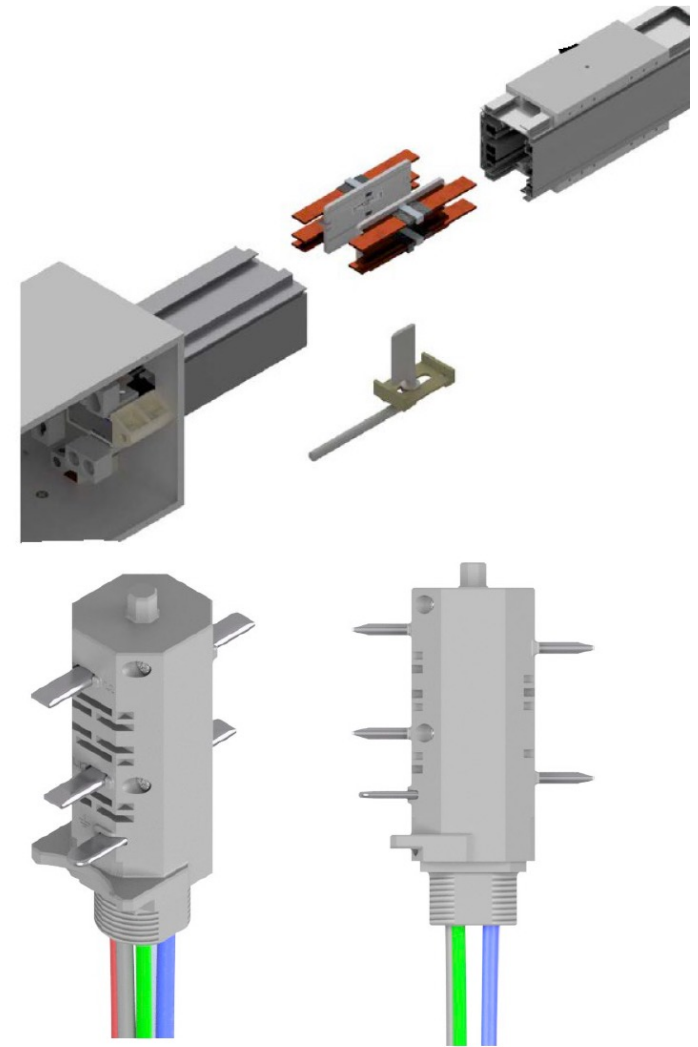
Max paddle head current: 125A per phase

Short Circuit Rating: 35-75kA

Housing configurations include 4-pole varieties, optional isolated ground, optional oversize (200%) neutral.



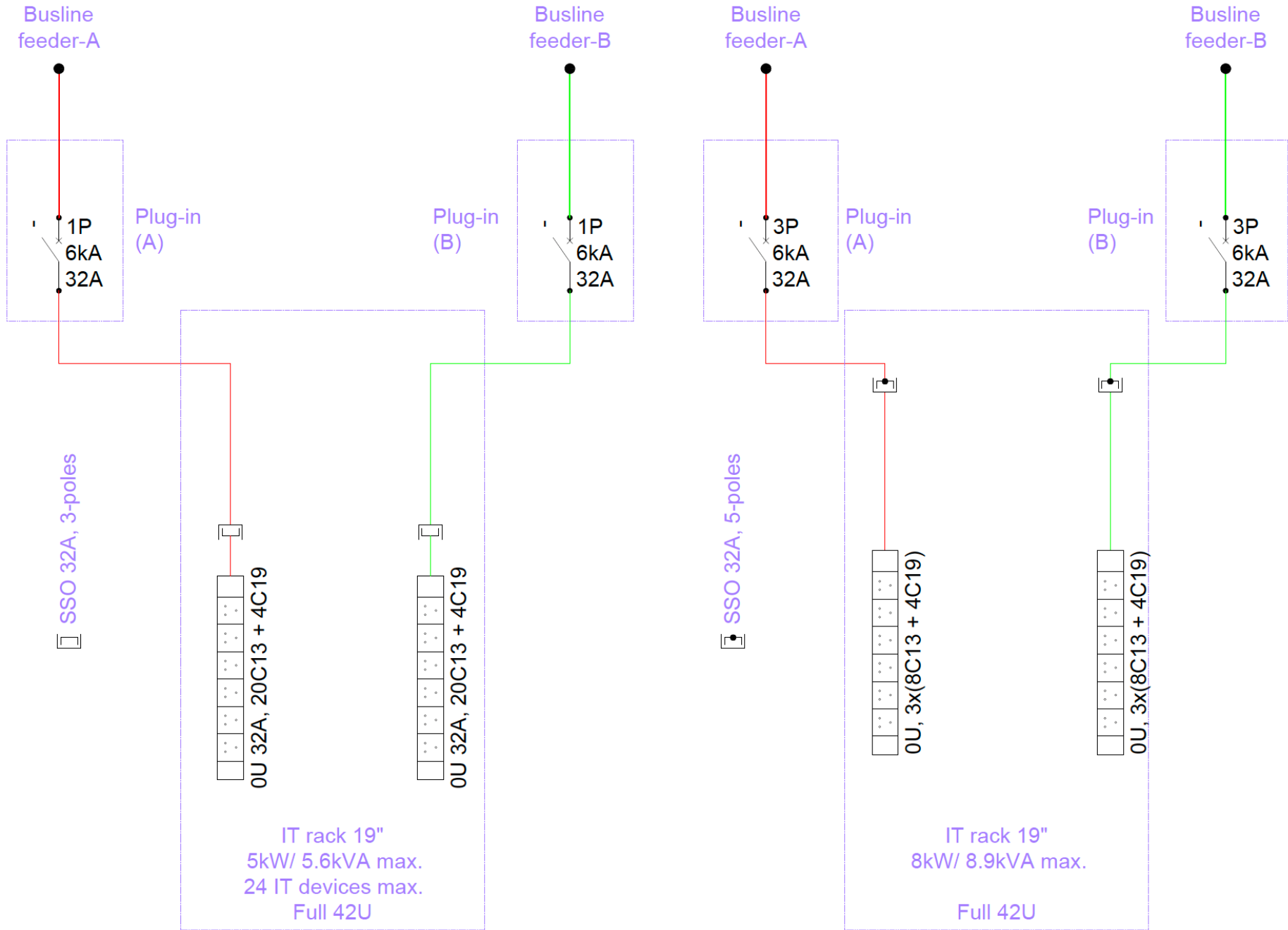
designed to be better.®



Data, Power & Control Division



Legrand Bustrack





END